

**Strong**

# RADIANCE™

Model #7201111

## *“Follow with the Leader”*

- ✓ Rigid aluminum extrusions insure sturdy construction while minimizing weight
- ✓ Low-profile yoke design allows for unobstructed access to the fixture and exceptionally smooth pan & tilt operation
- ✓ Six-color, self-cancelling Boomerang uses standard 9 inch “Super Trouper” gel frames
- ✓ Horizontal and Vertical masking shutters
- ✓ Nichrome steel iris
- ✓ Dimming fade-out control ranges from 100% output to full douse
- ✓ Spot size and edge focus controls integrated into single handle
- ✓ True Zoom Focus (TZF) automatically maintains hard edge from flood to small spot
- ✓ Enhanced 850 watt metal arc lamp offers the advantages of xenon with the convenience of metal halide sources
- ✓ Hot re-ignition; 6000° K. color temperature
- ✓ Two height-adjustable floor stands available (rigid base for permanent installations or lightweight, folding tripod for trouping)
- ✓ Simple plug connection to household current; single phase 115 V.AC, 10 ampere operation



*Tripod Base optional*

The Radiance™ is the new follow spotlight from Strong Entertainment Lighting. Not since the introduction of the legendary Super Trouper® in 1956 has so much design effort and user-feedback been merged into true revolutionary functionality. Building on 75 years of experience, Strong has combined superior performance with operator ergonomics for ease of operation.

Because of the extreme zoom ratio of the Radiance, “one size fits all,” meaning no requirement for a “long throw” or “short throw” model.





# RADIANCE™

Radiance

850 W. eMarc Metal Halide

## SPECIFICATIONS

Figures based on measurements at 70', 72% field coverage, with new bulb

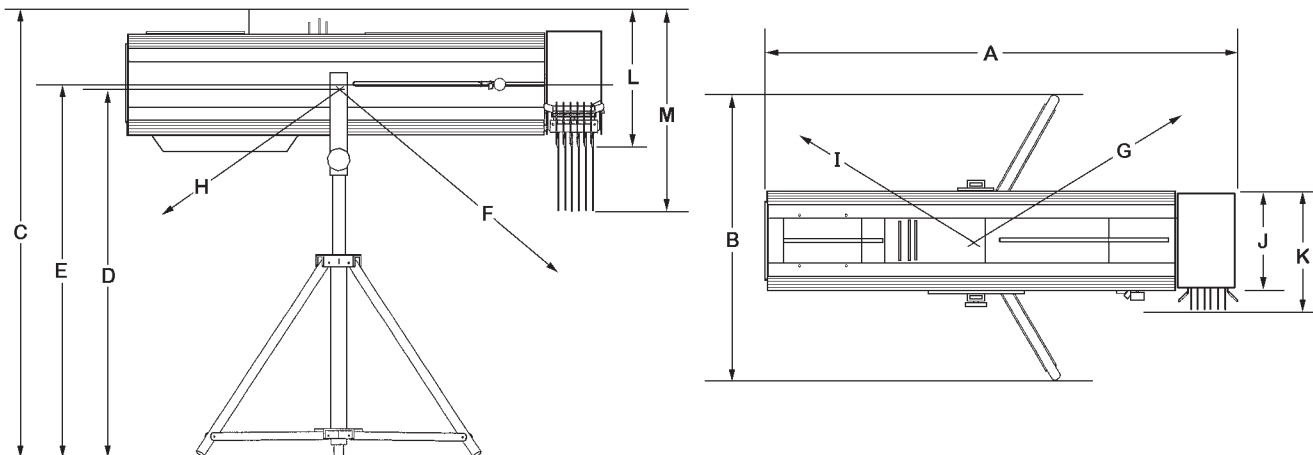
### Letter/Description/Dimension

Throw Distance		Largest (Flood) with Iris open				Small (Spot) with Iris open				Minimum Diameter Iris closed			
		Diameter		Intensity		Diameter		Intensity		Diameter		Intensity	
Feet	Metres	Feet	Metres	FC	Lux	Feet	Metres	FC	Lux	Inches	Metres	FC	Lux
50	16.4	13	4	200	2,152	5.6	2	1,720	18,513	8	0.2	1,720	18,513
70	23	18.2	5.5	102	1,098	7.8	2.4	878	9,450	11.2	0.28	878	9,450
100	32.8	26	8	50	538	11.2	3.4	430	4,628	16	0.4	430	4,628
120	39.4	31.2	9.5	34.7	373	13.4	4.1	298	3,207	19.2	0.49	298	3,207
150	49.2	39	11.8	22.2	238	16.8	5.1	191	2,055	24	0.61	191	2,055

- A Overall length of unit ..... 54"
- B Overall width of unit ..... 38"
- C\* Overall height of unit ..... 54¼"
- D\* Height of pivot point ..... 46"
- E\* Height of beam when horizontal ..... 46"
- F Front clearance radius for vertical movement ..... 30¼"
- G Front clearance radius for horizontal movement ..... 31"
- H Rear clearance radius for vertical movement ..... 24"
- I Rear clearance radius for horizontal movement ..... 23"
- J Width of head unit ..... 10½"
- K Overall width of head unit ..... 16"
- L Height of head unit (boomerang stowed) ..... 13¼"
- M Height of head unit (boomerang deployed) ..... 19"

Maximum height at rear with maximum downward tilt ..... 70"  
 Maximum height at front with maximum upward tilt ..... 75.5"  
 Maximum downward tilt ..... 35°  
 Maximum upward tilt ..... 45°  
 Horizontal sweep ..... 360°

Net weight:  
 Spotlight & Yoke ..... 96 lb.  
 Tripod ..... 16 lb.



## Strong Entertainment Lighting

4350 McKinley Street • Omaha, Nebraska 68112 USA

Tel 402.453.4444 • Fax 402.453.7238 • [www-strong-lighting.com](http://www-strong-lighting.com)